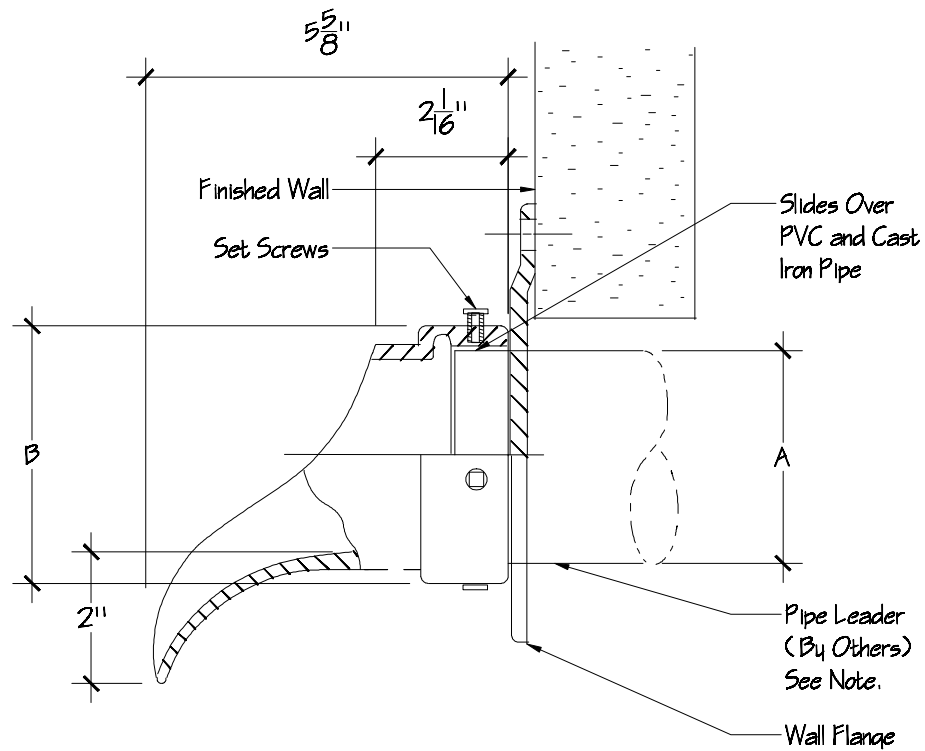
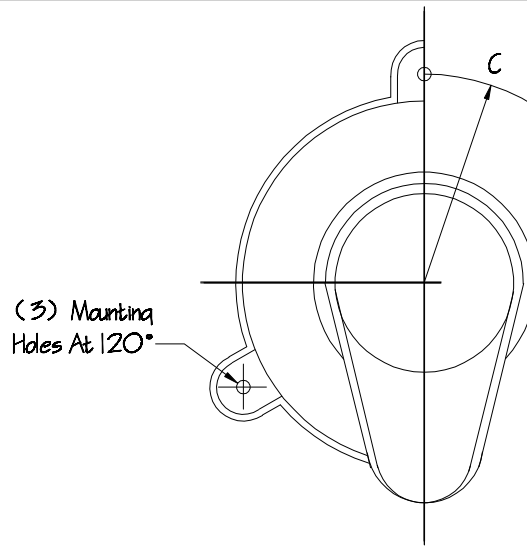


NOTE: Pipe (Leader) must extend past the face of the finished wall in order to install the wall flange and attach the downspout nozzle. Dimension shall be field determined by installer.

NOTE: Dimensions shown in parantheses are in millimeters.



A (Pipe Size)	02 (50)	03 (75)	04 (100)	05 (125)	06 (150)	08 (200)	10 (250)	12 (305)
B (Dia)	2 3/4 (70)	4 (100)	5 (125)	6 (150)	7 1/4 (185)	9 1/4 (235)	11 1/8 (285)	13 1/4 (335)
C (Rad)	2 3/4 (70)	3 1/2 (89)	3 7/8 (96)	4 3/8 (111)	5 (125)	5 7/8 (149)	7 1/4 (185)	8 (205)



OLD WORLD DISTRIBUTORS, INC.

Part No.: Downspout Nozzle

Available Materials:

Cast Bronze
Polished Bronze

Notes:

SKU: 1771