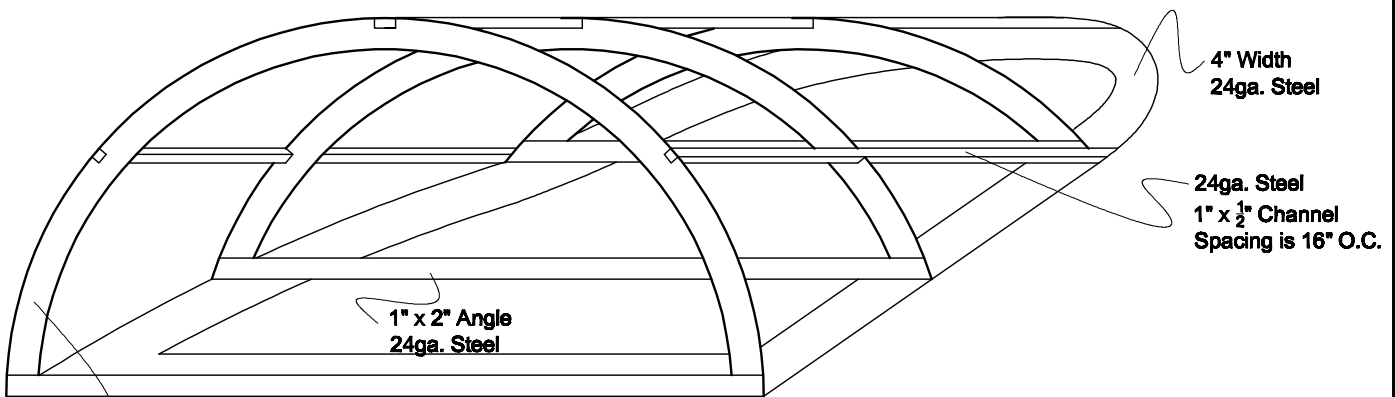


SIDE VIEW



4" Width
24ga. Steel

24ga. Steel
1" x 1/2" Channel
Spacing is 16" O.C.

1" x 2" Angle
24ga. Steel

3" x 7/16" OSB
Spacing is 16" O.C.

ANGLE VIEW



OLD WORLD DISTRIBUTORS, INC.

Part No.: Half Round Dormer Sub-Structure

Available Materials: For Roof

Notes:

Pitch Varies to Your Specifications
Structure layout varies with pitch
Sub-Structure present in pitches
of 10/12 and below