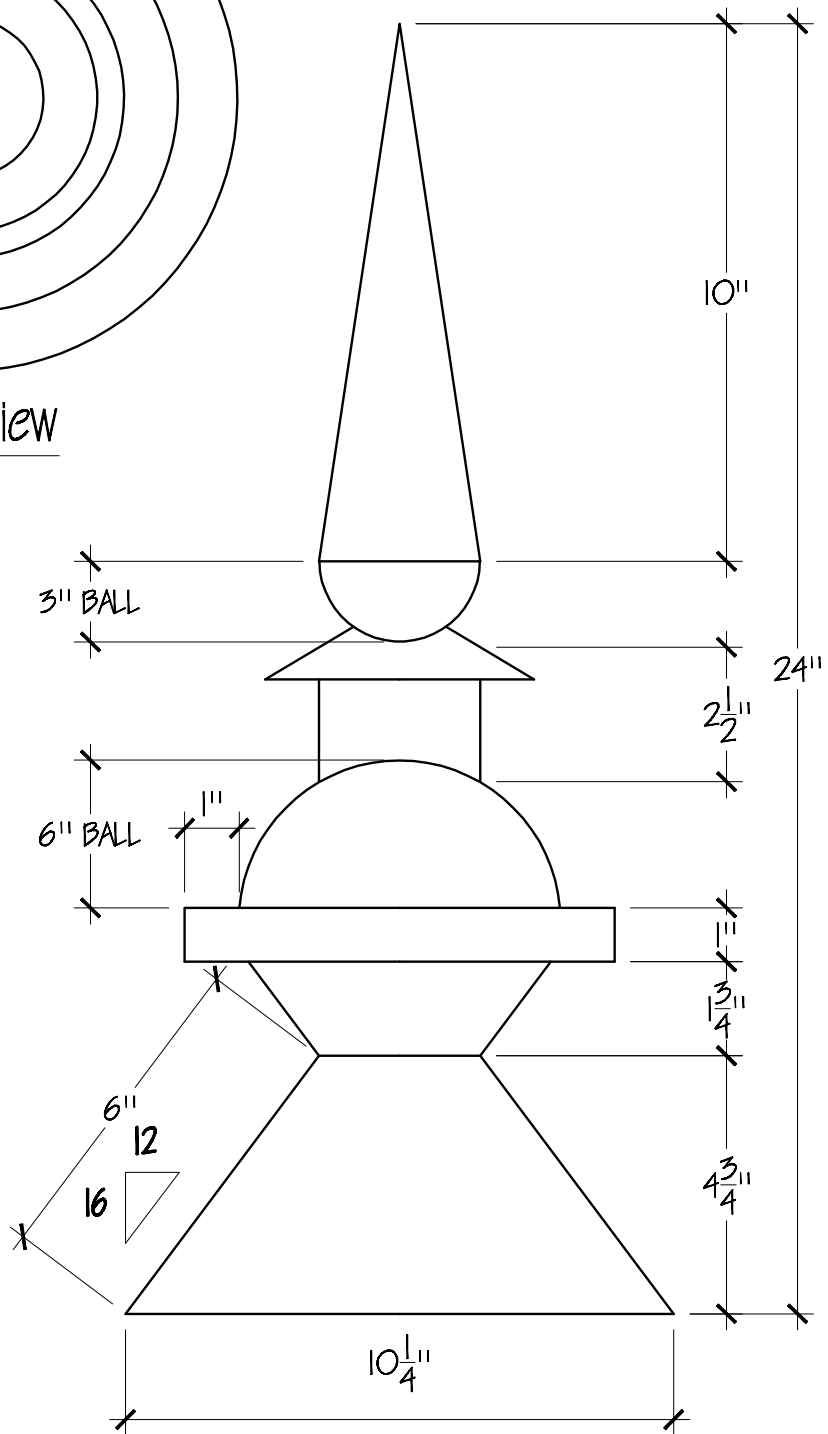


Plan View



**SIGNATURE:**

**DATE:**



**OLD WORLD DISTRIBUTORS, INC.**

**Available Materials:**

- 16 oz. Copper
- 16 oz. Lead Coated Copper

**Notes:**

Part No.: 2' Italian ITAL-2