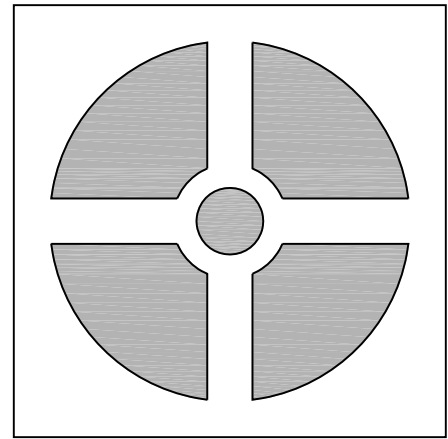
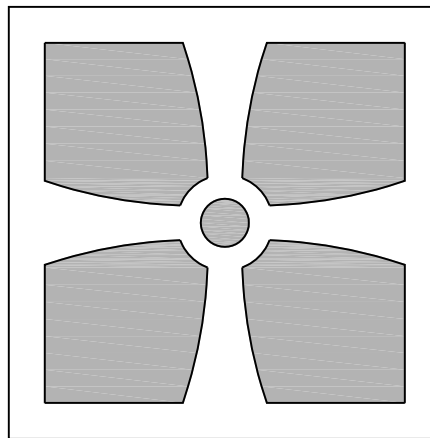


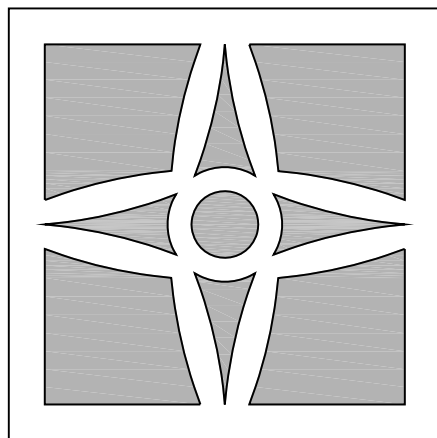
INSET - A



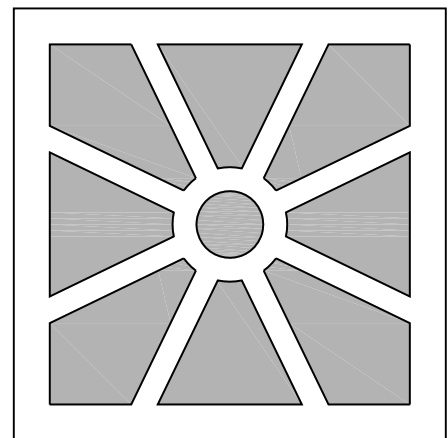
INSET - B



INSET - C

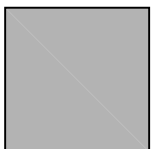


INSET - D



INSET - E

SHADED AREA
INDICATES
STAIN GLASS
(NOT INCLUDED)



OLD WORLD DISTRIBUTORS, INC.

Part No.: Hampton Cove - LB51 - Inset Patterns

Available Materials:
48 oz Copper (.063 thickness)
22 ga Stainless Steel

Notes:
Stain Glass not included