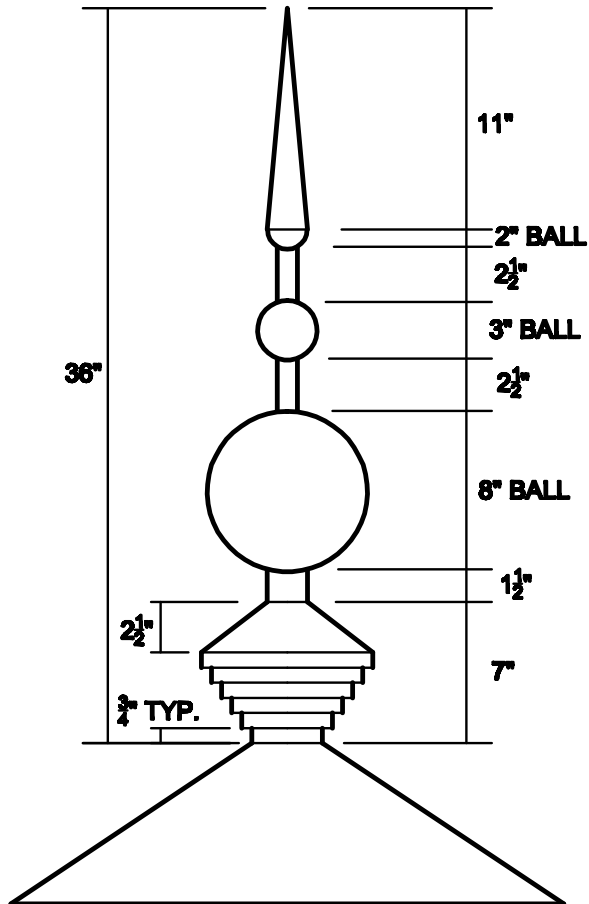


Top View  
Shown with Cone Base



**OLD WORLD DISTRIBUTORS, INC.**

**Part No.: Triple Ball & Spike - TRIPLE3**

**Available Materials:**

- 16oz Copper
- 16oz Lead Coated Copper

**Notes:**

Base MADE to Pitch  
Base Shown at 6/12