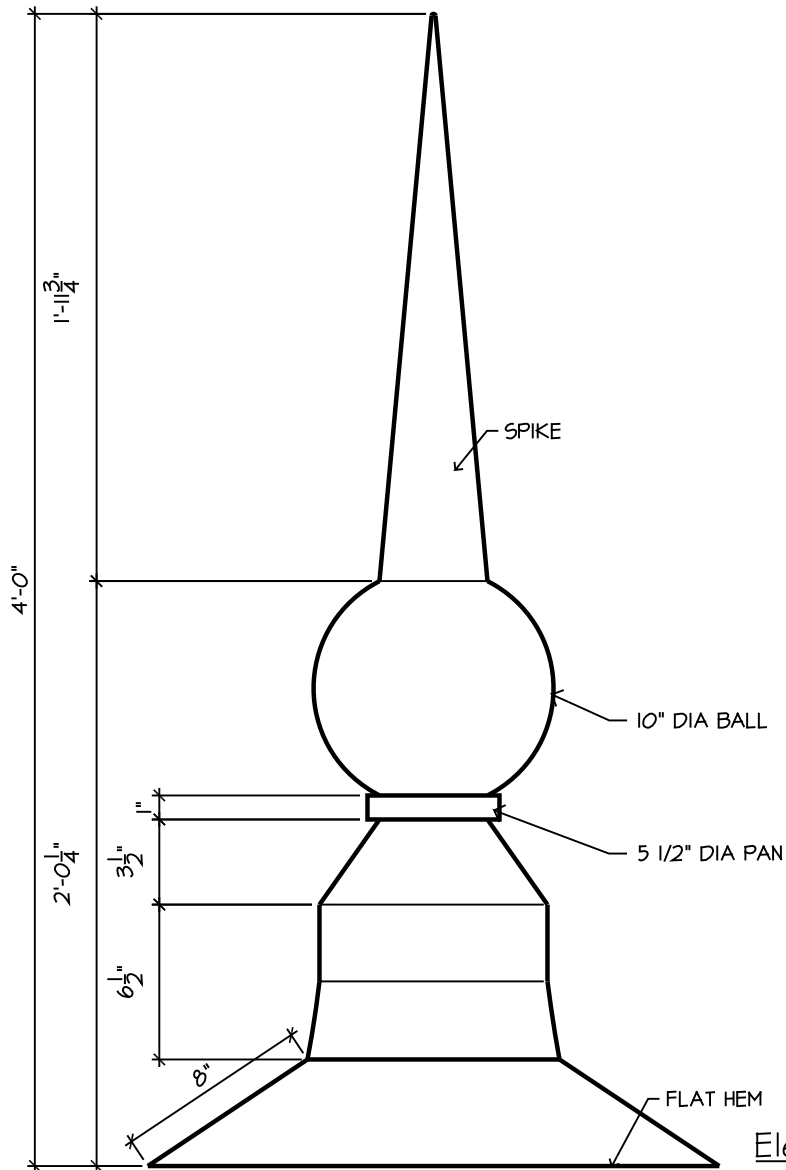


Plan



Elevation

G:\JOBS\0632 Old World - Product.dwg\Drawings\0632 finials.dwg_4/3/2008 10:16:26 AM.1:1



OLD WORLD DISTRIBUTORS, INC.

Part No.: L4 Landmark

Available Materials:
 16 oz Copper (.021 thickness)
 16 oz Freedom Gray Copper

Notes:
 Profile of base will change with roof pitch.
 Number of sides of base and number of sides of spike are equal.