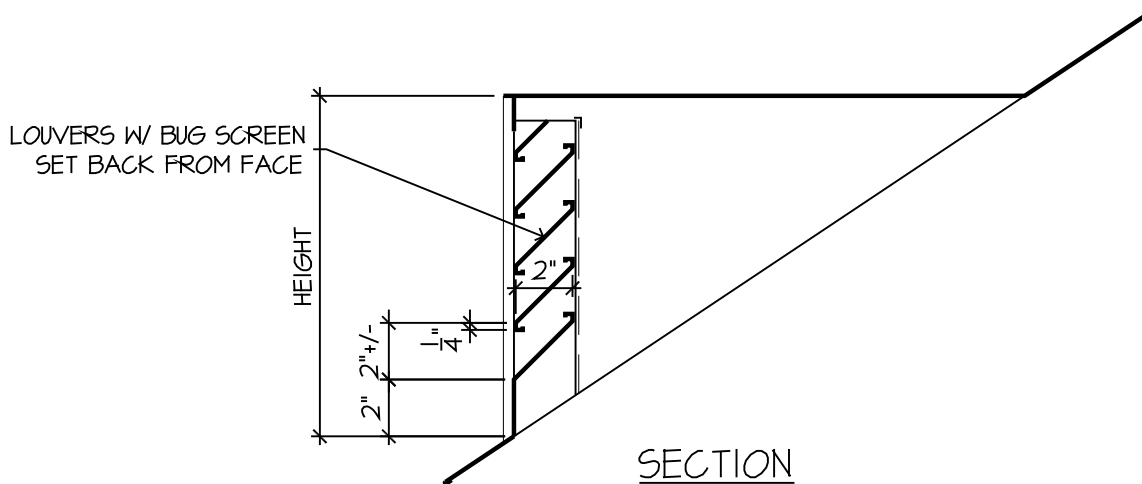
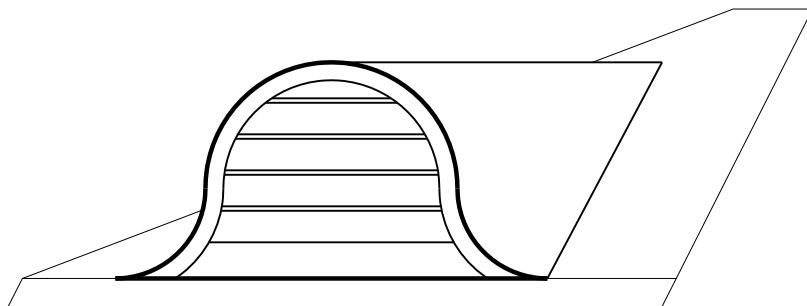


FRONT VIEW



SECTION



Part No:	Width	Height	Net Free Area
VE224	24"	12"	83.70 sq in
VE230	30"	15"	104.63 sq in
VE236	36"	18"	130.78 sq in
Custom			



OLD WORLD DISTRIBUTORS, INC.

Part No.: Elliptical Vent

Available Materials:
 16 oz Copper (.021 thickness)
 16 oz Freedom Gray Copper
 24 ga Kynar Painted Steel
 7 mm Shiny Zinc

Notes:
 Ridge length varies with roof pitch.